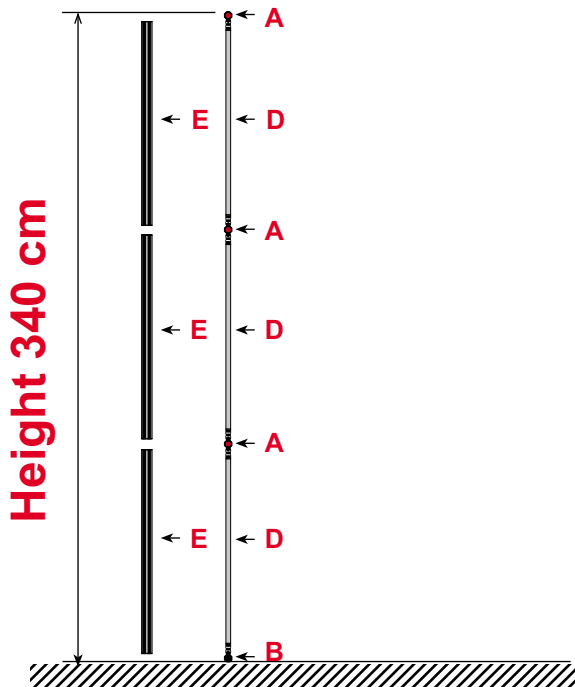


Metric / cm

## Tower unit **shape T4** 340 cm

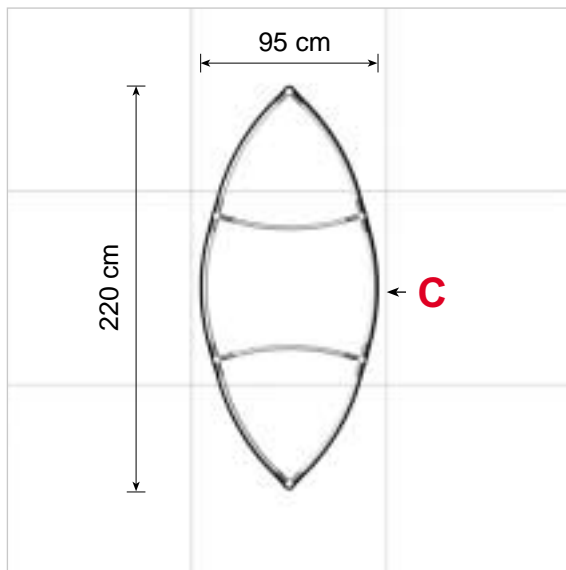
**Side view**



Height 340 cm

**Ladder Needed 3m' High**

**Top view**



ItemNo. 8914

Drawing no.	Tower unit shape T4 340 cm	
	Components	pcs.
<b>A</b>	Junction	18 pcs.
<b>B</b>	Leveling Junction	6 pcs.
<b>C</b>	Rod (purple)	32 pcs.
<b>D</b>	Rod (gold)	18 pcs.
<b>E</b>	Wing (gold)	18 pcs.
	Hanger	12 pcs.
	Clicker	12 pcs.

